

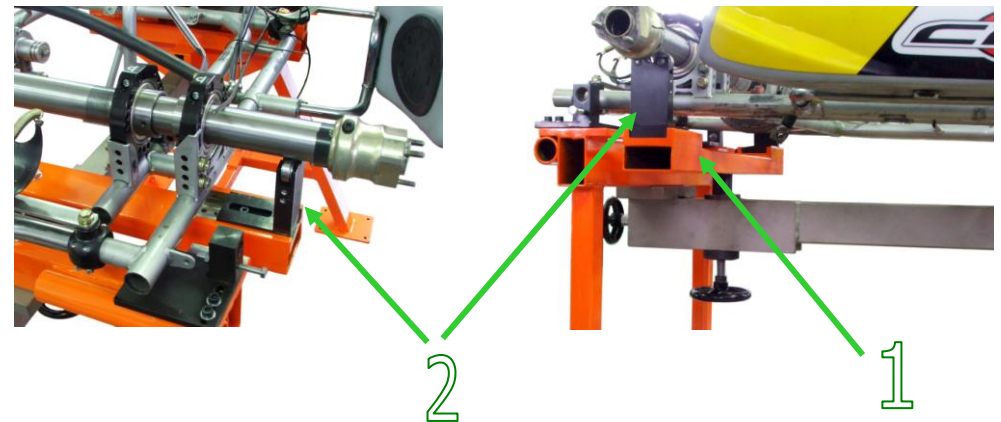
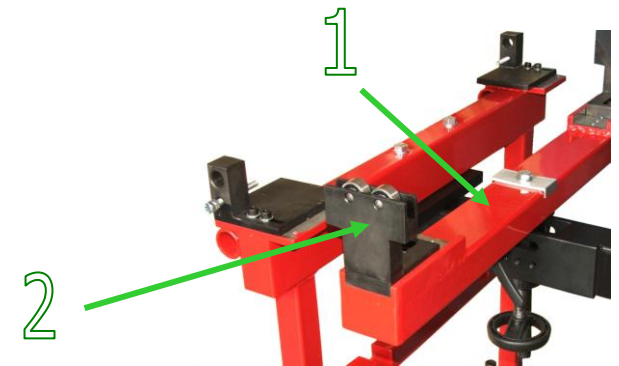
PORTABLE BENCH for CHASSIS

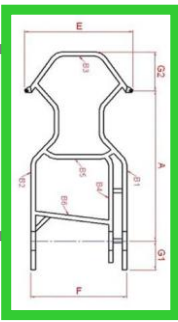
DIFFERENCES BETWEEN the model **BCT-18P** and **BCT-18PS**



The bench type **BCT-18P** has an **AXLE CROSSBAR** (item 1) complete with two **AXLE HOLDERS** with **BEARINGS** (item 2) that can be moved and adjusted in three dimensions: Longitudinal, Transversal and Vertical.

This allows to lift all types of frames



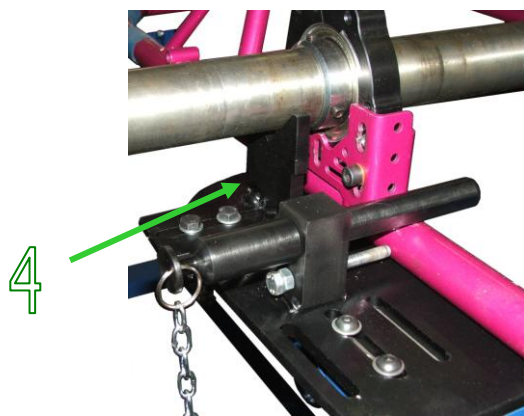
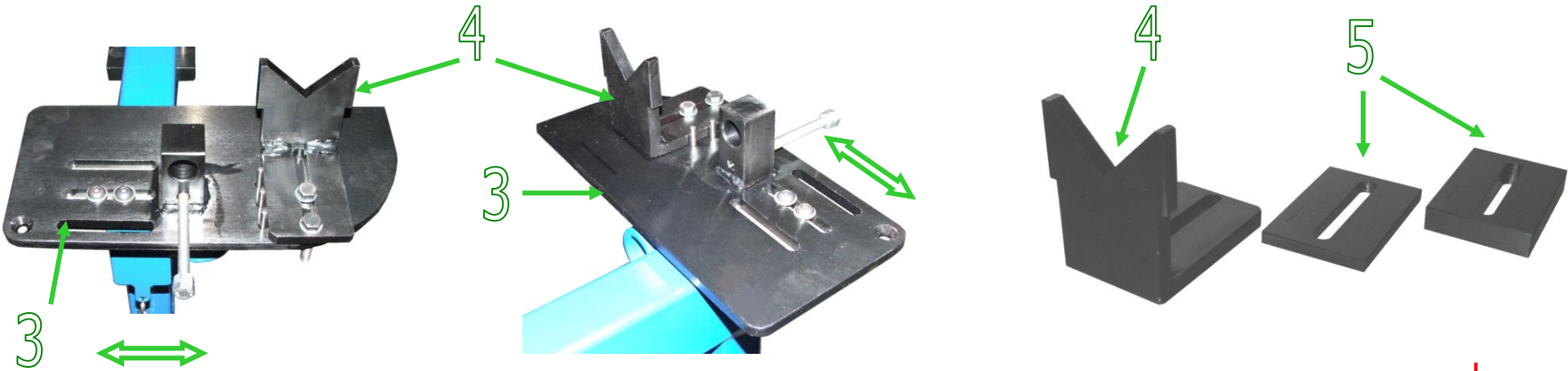


PORTABLE BENCH for CHASSIS

DIFFERENCES BETWEEN the model **BCT-18P** and **BCT-18PS**



The main difference is that the model **BCT-18PS** is devoid of this AXLE CROSSBAR but the AXLE HOLDERS (item 4) are an integral part of the plate (item 3) and has a fixed measure, adjustable longitudinally and in height with the appropriate thickness (item 5)



Thanks to these characteristics the bench model **BCT-18PS** can be used with frames of a single brand (*ex: in the images, the preparation for the HAASE frames*)

To prepare this bench is therefore necessary to know the value Y and its variations.

